

H100 SoloMount® Clutch Shade

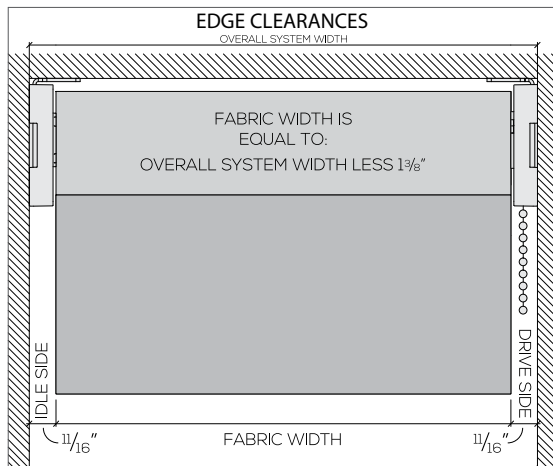
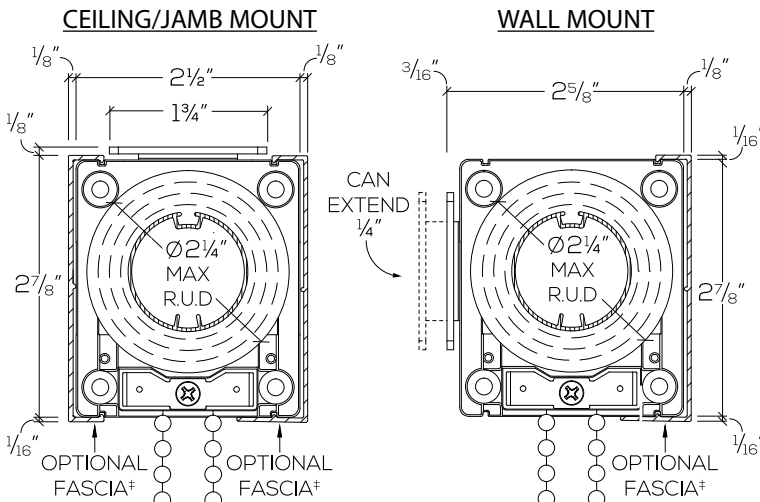
Technical Data



ANSI/WCMA
CHILD SAFETY
TENSION DEVICE
(STANDARD)



CPSC
CHAIN GUARD
(OPTIONAL)



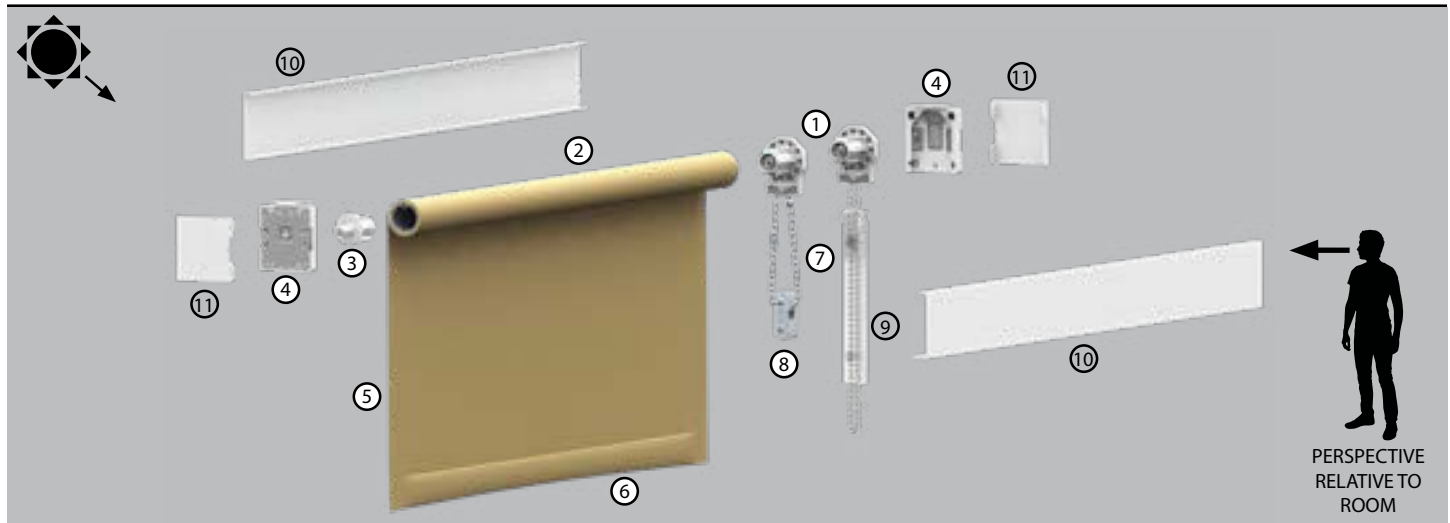
FEATURES AND BENEFITS

- Featuring our proprietary, all-in-one SoloMount® Brackets: Ceiling, Wall or Jamb mount capable allowing easy, on-the-fly adjustments. Mounting flange is extendable for Wall Mount applications.
- Available with Front Fascia, Rear Fascia, or Both, SoloMount® is designed to accept fascia at the time of order or any point in the future.
- Clutches feature an integrated stainless steel reinforced Chain Diverter and Set Screw for maximum stability, durability and added safety, and can be Drive Right or Drive Left.
- Metal to metal contact points on both the Drive and Idle sides of the shade ensure a sturdy and reliable connection to the brackets.
- WT Shades are available with our WT Shade fabrics, or Mermet® and Phifer® fabrics. Visit WTShade.com to view fabric options, and other options and accessories, including Regular or Reverse Roll and various Hembar styles and Drive Chain Colors.
- Construction Documents for this system and others available at WTShade.com.

IPC.3497/Rev2

H100 SoloMount® Clutch Shade

Technical Data



| # | ITEM | ADDITIONAL INFORMATION | COLOR OPTIONS |
|-----|-----------------------------|--|--|
| 1 | CLUTCH | Will be color coordinated based on fabric color.* | White (-10) Black (-90) |
| 2 | ROLLER TUBE | 1.25" Diameter. | n/a |
| 3 | IDLER | Retractable. Will be color coordinated based on fabric color.* | White (-10) Black (-90) |
| 4 | BRACKETS | Ceiling/Jamb(C) or Wall(W) Mounted; Drive Right(R) or Drive Left(L). Will be color coordinated based on fabric color.* | White (-10) Black (-90) |
| 5 | FABRIC | See fabric selection for all available options. | Visit WTShade.com |
| 6 | HEMBAR | Sealed Hembar shown, alternate styles and colors available. | Visit WTShade.com |
| 7 | DRIVE CHAIN | Stainless Steel shown. | Visit WTShade.com |
| 8 | CHILD SAFETY TENSION DEVICE | ANSI/WCMA A100.1-2022 compliant. | Clear (-98) |
| 9 | CHAIN GUARD | WCMA and CPSC compliant. | Clear (-98) |
| 10 | 3" FASCIA | Available for Front & Rear application for Regular or Reverse Roll. | White(-10) Black(-90) Ivory(-04) Silver(-20) Bronze(-50) |
| 11 | END CAPS | | White(-10) Black(-90) Ivory(-04) Silver(-20) Bronze(-50) |
| N/A | LIGHT BLOCKING ACCESSORIES | (Not shown) Side channel, Sill channel, or Light stop angle. | Visit WTShade.com |
| N/A | WALL MOUNT ANGLE | (Not Shown) Required for Wall Mount applications with Rear Fascia. Size: 3" x 3" x 1". | |

STANDARD COMPONENTS

OPTIONAL

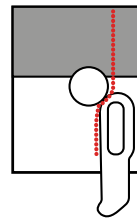
| SERIES | MAX. RUD | MIN. SHADE WIDTH | MAX. SHADE WIDTH | MAX. SHADE HEIGHT |
|--------|----------|------------------|------------------|-------------------|
| H100 | 2¼" | 12" | 96" | 98" |

System Capabilities are for guideline purposes only based on WT 243 fabric and do not guarantee that a shade with any fabric can be made to these dimensions. Width and length may vary depending on selected shade fabric. Visit WTShade.com or contact Customer Service to verify system capabilities based on project specific selections.



Window Blind Cord Strangulation Risk

Window blinds with a damaged or loose tension device or retractable cord that fails to fully retract pose a strangulation risk to children. To avoid this potential strangulation risk, consider purchasing cordless products or products with inaccessible cords.



Elimina el riesgo de estrangulamiento del cordón de la persiana

Las persianas con dispositivos de tensión suelto, dañado o con un cordón retráctil cuyo mecanismo se encuentre deteriorado, representa un riesgo de estrangulación para los niños; por ello prefiera comprar productos con sistemas inalámbricos o con cordones de difícil acceso.

* See Color Coordination Guide for more information