

GUIDE SYSTEMS

A shade mounted in an area that is completely perpendicular to the floor will use gravity to assist the shade on its path up and down.

Certain facades, however, may have windows that slope...

...and may require assistance from our Guide Track or Cable Systems.

The **Classic Guide Track** is a simple, no-nonsense solution utilizing specially designed **Wheeled Hembar End Caps** that ride inside the track. Shown here with our External Hembar, the **Classic Guide Track** is also compatible with our Heavy Duty External Hembar.

For extra large shades, our **Heavy Duty Guide Track** is compatible with our Heavy Duty Hembar. This system features two wheels on each End Cap and is ideal for sloped motorized shades or even large skylight shades.

Our low-profile **Guide Cable Kit** provides a discreet solution for sloped windows. For shades with our External Hembar this versatile kit can be ordered at any time, before or after installation, and comes with two ways to attach the cable to the Hembar.

CLASSIC GUIDE TRACK

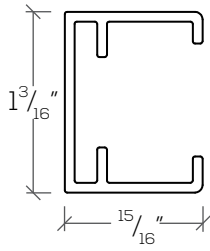
HEAVY DUTY GUIDE TRACK

GUIDE CABLE KIT

The above illustration is for illustrative purposes and may not represent the products in real life scenarios. Color accuracy is not guaranteed in print or on screen.

AVAILABLE COLORS:

White
-10



Part #GTC-10

- ◆ Standard Available Length: 18' (216")
- ◆ Can be precut to specified sizes or shipped in full length pieces.

CLASSIC GUIDE TRACK

Content:
Aluminum Alloy

COMPATIBLE WITH:



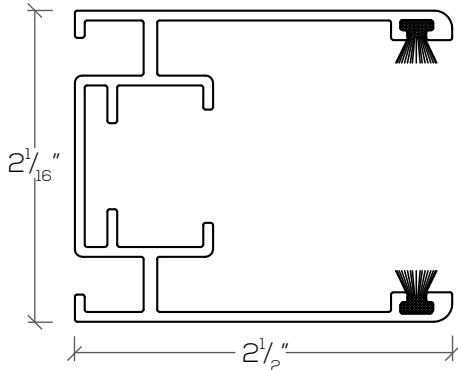
External Hembar with Single Wheel End Caps (HCSW-XX*)



Heavy Duty External Hembar with Double Wheel End Caps (HCWHD-10)

AVAILABLE COLORS:

White
-10



Part #GTHD-10

- ◆ Standard Available Length: 18' (216")
- ◆ Can be precut to specified sizes or shipped in full length pieces.

HEAVY DUTY GUIDE TRACK

Content:
Aluminum Alloy

COMPATIBLE WITH:



Heavy Duty External Hembar with Double Wheel End Caps (HCWHD-10)



*Replace "XX" with desired color number when ordering.
To download individual data sheets on these accessories and more, please visit WTShade.com.



GUIDE CABLE KIT

Part #CKGW

- ◆ To be used vertically along the side or up the back of the shade.
- ◆ Can be ceiling mounted or wall/jamb mounted using the provided bracket clips.
- ◆ Can be ordered at any time and retrofit to all shades utilizing our External Hembar.

COMPATIBLE WITH:



External Hembar with Guide Cable End Caps HCGC-XX*

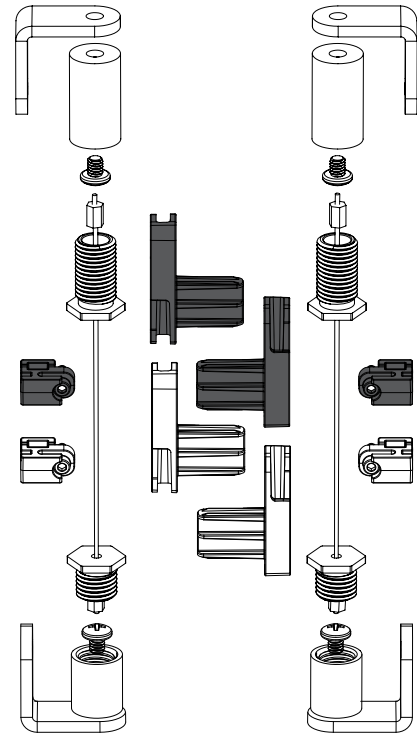
Kit includes:

Two (2) pairs of Barrels and Studs for mounting (1" and 1/2")

Two (2) pairs (white & black) of Guide Cable End Caps for External Hembar for side mounting cables.

Two (2) pairs (white & black) of Guide Cable Clips for External Hembar for back mounting cables.

Two (2) 20' lengths of Stainless Steel Cable.



IDLE CABLE SUPPORT KIT

Part #CKIS

- ◆ To be used horizontally across the shade in order to lend support to sagging fabric in sloped scenarios or to prevent billowing.
- ◆ Can be ordered at any time and retrofit to any shade system.
- ◆ Can be Wall or Jamb mounted.
- ◆ Combine as many as necessary!

Kit includes:

One (1) pair of Barrels and Studs for mounting.

One (1) 10' length of Stainless Steel Cable.

Four (4) Clear Cable Sleeves for fabric protection (2 1/2' each).

COMPATIBLE WITH:

All Shading Systems

All Hembars

