

SHADING ENCLOSURES

Shades are wonderful when we need them, but when not in use, wouldn't it be nice if they could be hidden from sight? Well, they can! WT Shade offers a variety of options for Shade Enclosures which allow you to create a fully encased area for your shades to roll-up inside. Shade Enclosures include **Shade Pockets**, **Bottom Closures** and **Closure Mounts**.

Shade Pockets come in two sizes and are compatible with all of our Shading Systems and Light Blocking Accessories. Made of lightweight extruded aluminum or galvanized steel, **Shade Pockets** are available with or without **Tile Support** and can be installed above or below the ceiling line.

Bottom Closure is a small flap that can be added to the bottom of a pocket to completely conceal the Shading System hardware from view. Requiring no tools to install, **Bottom Closure** simply hooks on to the bottom of the **Shade Pocket**.

Pocket End Caps are available for the ends of **Shade Pockets** and may be installed in below ceiling applications to create a clean, finished look while also concealing the exposed shade hardware.

Building your own gypsum or sheet-rock pocket? Installing **Closure Mount** inside your construction provides a place for **Bottom Closure** to hook onto. Like **Shade Pocket**, our **Closure Mount** is available with or without **Tile Support**.

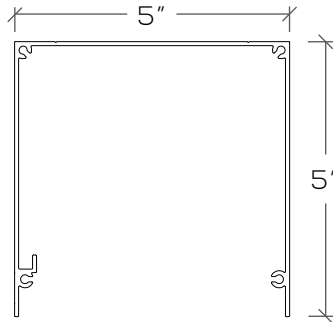
AVAILABLE COLORS:

White
-10

5" X 5" POCKET

Content:
Aluminum Alloy

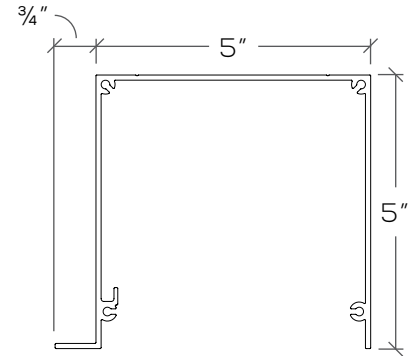
- ◆ Standard Available Length: 10' (120")
- ◆ Can be precut to specified sizes or shipped in full length pieces.
- ◆ Compatible End Cap: CPE55-10



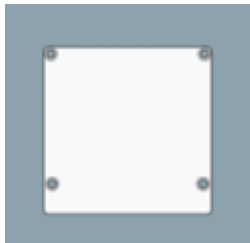
Part #CP55-10
5"x 5" Pocket

COMPATIBLE SHADING SYSTEMS:

H100 SoloMount®
H100 SLIM
H200 SoloMount
H200 SLIM
MR150 SoloMount
MR150 SLIM
MR250 SLIM



Part #CP55TS-10
5"x 5" Pocket
with Tile Support



POCKET END CAPS

Pocket End Caps can be attached to the end of a Shade Pocket, creating a clean finished look while concealing exposed hardware.

Part #CPE55-10
End Cap for CP55-10 & CP55TS-10

AVAILABLE COLORS:

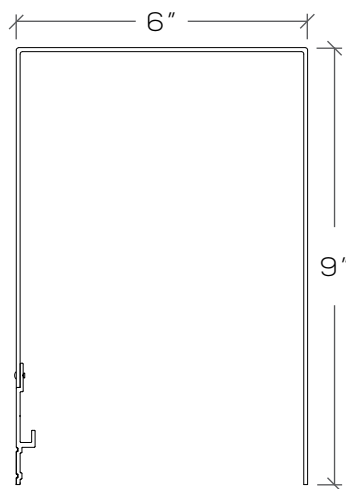
Mill
Finish
-99

6" X 9" POCKET

Content:

20 gauge galvanized 1018 CRS steel,
with Closure Mount (#CM or #CMTS)
secured using Rivets.

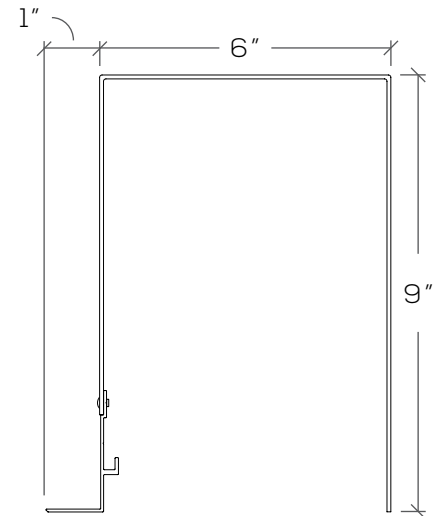
- ◆ Standard Available Length: 10' (120")
- ◆ Recommended for above ceiling installations.



Part #CP69-99
6"x 9" Pocket

COMPATIBLE SHADING SYSTEMS:

H200 PIGGYBACK SoloMount
MR150 PIGGYBACK SoloMount
MR250 PIGGYBACK SLIM



Part #CP69TS-99
6"x 9" Pocket
with Tile Support



SHADING ENCLOSURES

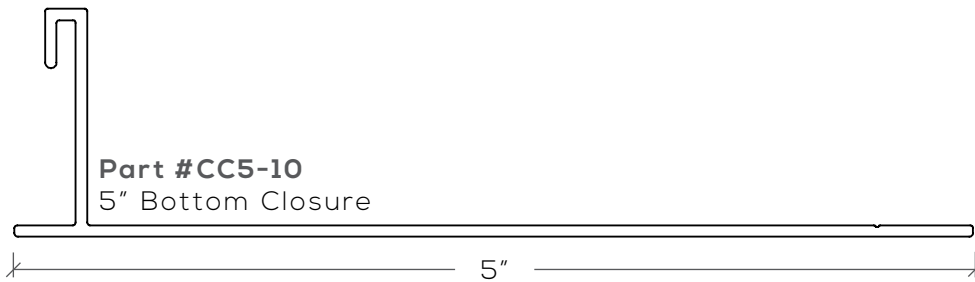
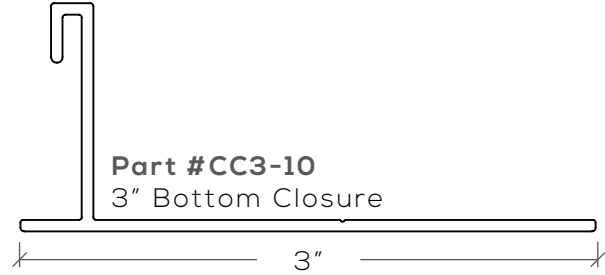
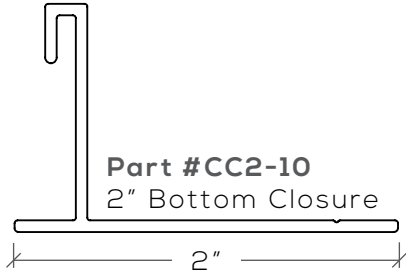
AVAILABLE COLORS:



BOTTOM CLOSURE

Content:
Aluminum Alloy

- ◆ Standard Length Available: 10' (120")
- ◆ Can be precut to specified sizes or shipped in full length pieces.



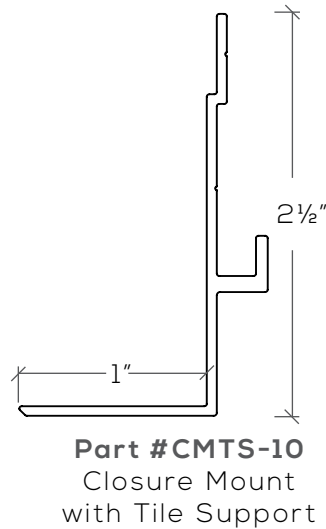
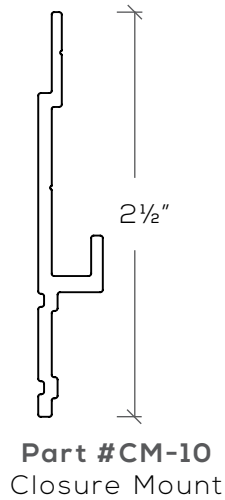
AVAILABLE COLORS:



CLOSURE MOUNT

Content:
Aluminum Alloy

- ◆ Standard Length Available: 10' (120")
- ◆ Can be precut to specified sizes or shipped in full length pieces.



To download individual data sheets on these accessories and more, please visit WTShade.com.